



CRYO 170

HIGHLY RELIABLE CRYOGENIC FREEZER WITH INDEPENDENT TRUE DUAL™ TECHNOLOGY PROVIDES THE BEST SECURITY FOR YOUR SAMPLES.

The cryogenic freezer offers a wide variety of research and long-term storage application for ultra low temperature scientific experiments, preservation of cells, DNA, bone material & bacteria



TRUE DUAL™
TECHNOLOGY



FILTERLESS
CONSTRUCTION



REDUCED
NOISE LEVEL



LOW ENERGY
CONSUMPTION

ENERGY EFFICIENT

Arctiko's CRYO 170 freezer only uses 31kwh/24h which is extremely low compared with competitors.

The independent TRUE DUAL™ technology ensures extremely low cost of ownership and noticeable impact on the runnings costs. Our CRYO is a superior alternative to LN2 based products, e.g. cryotanks. With no LN2 needed, it operates solely on a power supply which lowers the operating costs.

SUPERIOR PERFORMANCE

The dual cooling system is designed to keep the unit at -150°C, and with only one cooling system active the unit is still able to achieve -130°C – with an outstanding uniformity of +/-3°C.

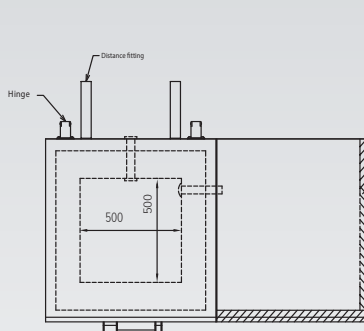
The TRUE DUAL™ technology makes sure that you are provided with the best and most secure and reliable cryogenic freezers with excellent temperature stability and superior performance.

MOST SECURE CHOICE

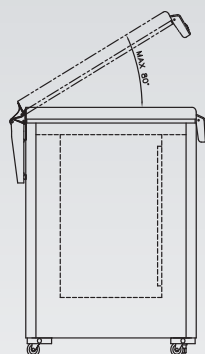
Arctiko's CRYO freezer eliminates the cost of LN2 storage maintenance and avoids hazardous operation conditions.

Arctiko's CRYO freezers are specially developed to avoid cross contamination and to provide a more environmentally friendly economic alternative to the LN2 cryotanks. Choosing this CRYO you will have one of the most reliable freezers available in the market.

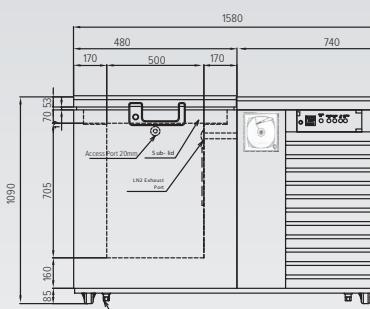
MAIN DIMENSION FOR CRYO 170



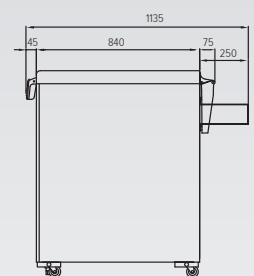
TOP VIEW



LEFT VIEW



FRONT VIEW



RIGHT VIEW



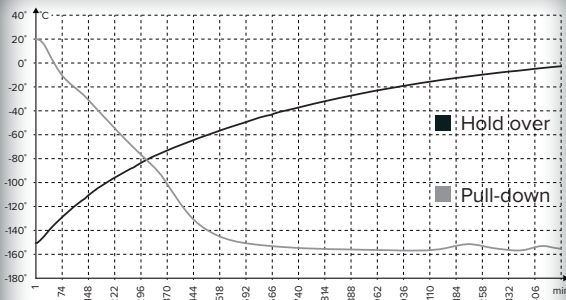
Temperature chart recorder for recording of temperature (optional)



User-friendly controller with access to all the necessary functions



Key lock is standard feature in our CRYO 170. Placed on handle for optimal security of your samples.



OPTIONAL ACCESSORIES

- LN2 backup
- GSM alarm module
- Racks & boxes
- Cryo gloves

MAIN SPECIFICATIONS

Item code	DAI 0197
Temperature range (°C)	-140 / -150
Max. ambient temperature (°C)	30
Capacity (L)	171
Exterior dimensions WxDxH (mm)	1580x960/1135*x1090
Interior dimensions WxDxH (mm)	500x500x685
Weight (KG)	374
Insulation (mm)	170
Cooling technology	dual system / static
Controller model / probe type	TTM-004 / PT100

POWER

Power supply (V)	3 x 400
Frequency (Hz)	50
Power consumption (kWh/24H)	31,7
AMP (A)	4,8
Power (Watt)	1929
Horse power (HP)	2 x 1,5

ALARM FUNCTIONS

Alarm display as text - not codes	no
Visual / acoustic alarm	yes / yes
Power failure alarm	yes
Adjustable high / low temperature alarm	yes / yes
Open door alarm	no
Probe failure alarm	yes
Low battery alarm	no
Compressor failure alarm	yes
Battery backup for alarms (approx. hrs.)	48

DATA LOGGING & EXTERNAL CONNECTION

Voltage free contact for remote alarm (e.g. GSM module)	yes
Electronic data logger	no
RS 485 port	no
USB port for software update & data download	no
Temperature chart recorder	optional

DISPLAY FEATURES

Display type	LED display
Number of optional reference probes	no
Password protection for turning unit on / off	no
Temperature graph on display	no

OTHER FEATURES

Automatic defrost	no
Vacuum release port	yes
Access port for external probe etc. (int. diameter mm)	20
Light	no
Lock with key	yes
Castors (total pcs) / castors with brake (pcs)	4 / 0
Feet (pcs) / levelling feet (pcs)	0 / 2
Sub lids or inner doors (pcs)	1
Baskets (pcs)	no
Total capacity of 50 mm boxes 9x9 dividers (pcs)	108
Total capacity of 75 mm boxes 9x9 dividers (pcs)	72
Total capacity of 96 mm boxes 9x9 dividers (pcs)	45

REFRIGERATION & CABINET

Number of compressors	2
Refrigerant	mix
Interior cabinet material	stainless steel
Exterior cabinet material	electrogalvanized steel
Colour (exterior cabinet)	ivory
Foam type	polyurethane
VIP vacuum insulated panels	no

SHIPPING

Shipping weight (KG)	538
Shipping dimensions WxDxH (cm)	192x122x140
Shipping volume (m ³)	3,28

*Depth of 1135mm includes distance fittings on back for correct air circulation